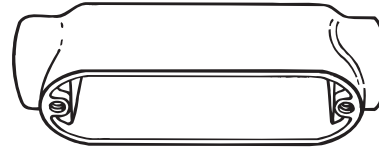


Aluminum Conduit Bodies Applications

- For use on threaded rigid/IMC conduit
- Use Type C conduit bodies for connecting conduit sections as pull outlets, and to provide openings for maintenance and making taps and splices to conductors



TYPE C

Aluminum Conduit Bodies Product Features

- Flat back design for easy mounting close to walls
- Cast of high strength, corrosion and weather resistant aluminum alloy with painted finish
- May be used on aluminum or steel conduit
- Lightweight, makes installation simple

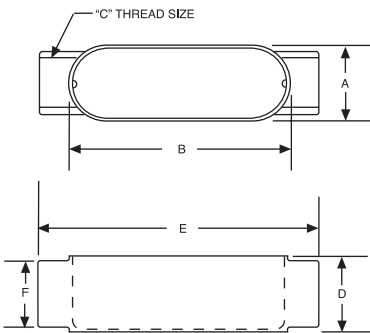
Compliances

- - Standard 514B
- - C22.2 #18

ORDERING INFORMATION - DIMENSIONS

TYPE C				
CATALOG NUMBER	TRADE SIZE	UNIT CTN. QTY.	SHIP CTN. QTY.	UPC BAR CODE
EAC-1	1/2"	10	100	—
EAC-2	3/4"	10	50	—
EAC-3	1"	6	24	—
EAC-4	1-1/4"	2	8	—
EAC-5	1-1/2"	2	8	—
EAC-6	2"	1	5	—
EAC-7	2-1/2"	—	1	—
EAC-8	3"	—	1	—
EAC-9	3-1/2"	—	1	—
EAC-10	4"	—	1	—

TYPE C



DIMENSIONS						
CONDUIT SIZE	A	B	C	D	E	F
1/2"	1-5/16"	3-7/8"	1/2"	1-7/16"	4-29/32"	1-1/16"
3/4"	1-1/2"	4-5/8"	3/4"	1-11/16"	5-1/2"	1-11/32"
1"	1-3/4"	5-3/8"	1"	1-15/16"	6-7/16"	1-21/32"
1-1/4"	2-1/2"	6-5/8"	1-1/4"	2-7/8"	8-7/16"	2-1/4"
1-1/2"	2-1/2"	6-5/8"	1-1/2"	2-7/8"	8-7/16"	2-1/4"
2"	3-1/8"	8-1/2"	2"	3-7/16"	10-3/4"	2-15/16"
2-1/2"	4-9/16"	12-1/4"	2-1/2"	4"	14"	3-7/16"
3"	4-9/16"	12-1/4"	3"	4-3/4"	13-1/2"	4-7/64"
3-1/2"	5-7/16"	14-7/8"	3-1/2"	5-1/2"	15-29/32"	5-9/64"
4"	5-7/16"	14-7/8"	4"	5-1/2"	15-29/32"	5-9/64"